

RC-8

Radio Controller



- Easy to configure and operate
- Security hardened OS based on Linux
- PJ-7 or Lemo micro headset connector
- Built-in loudspeaker and microphone
- Dual LAN with Power over Ethernet

RC-8 Radio controller

A neat and user-friendly radio controller

The RC-8 radio controller comes in three versions: Desktop (RC-8D), Console (RC-8C), and Sub-Rack (RC-8SR). It is a small and elegant device which can control up to eight radios (four channels) in a Main/Standby configuration.

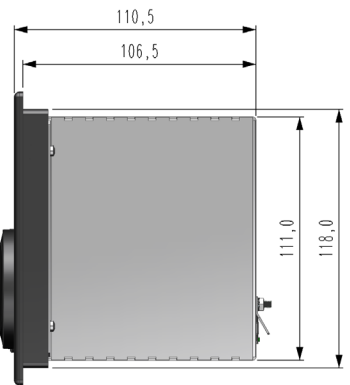
RC-8 is suitable for smaller airports, offshore helidecks, and can also be used as an emergency radio controller. The radio controller is easily operated using the front panel interface and the built in speaker and microphone. Using a web browser, the operator can securely configure the device using an encrypted connection.

The RC-8 can be powered through a redundant DC connection and Power over Ethernet (PoE).

RC-8C dimensions



RC-8D Desktop version



RC-8C for console mounting



RC-8SR for subrack mounting