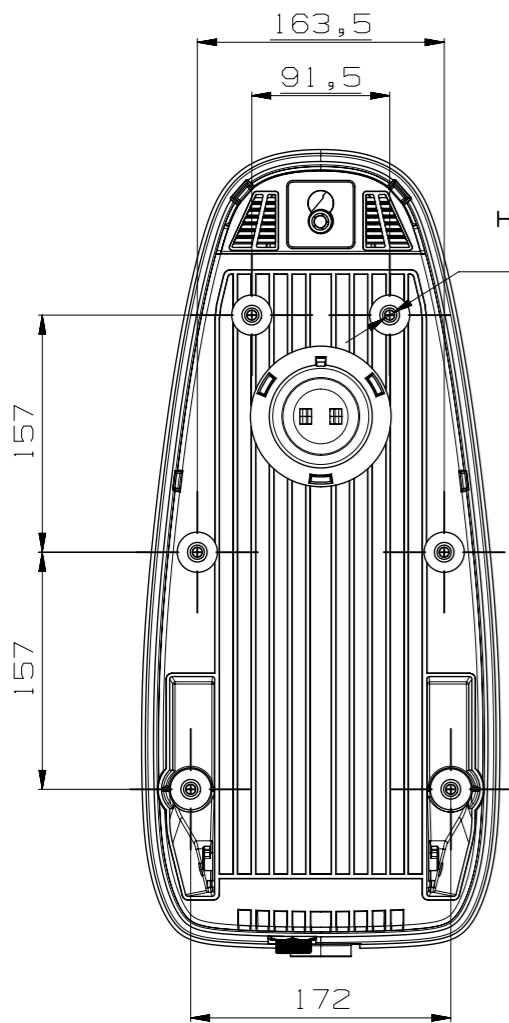
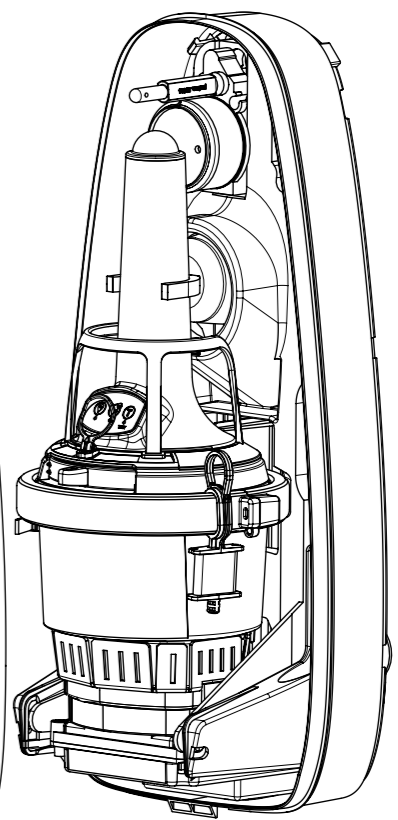
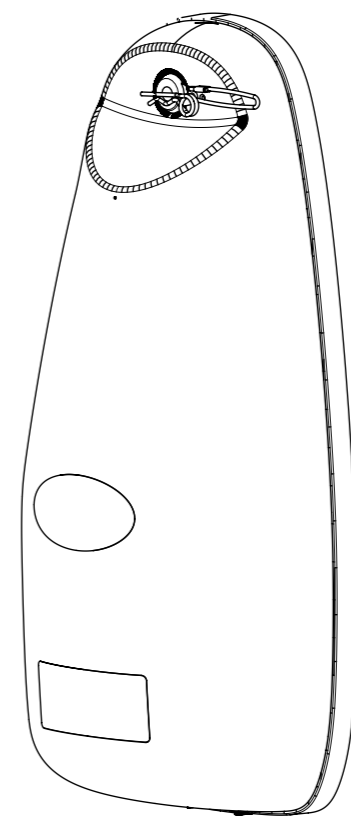
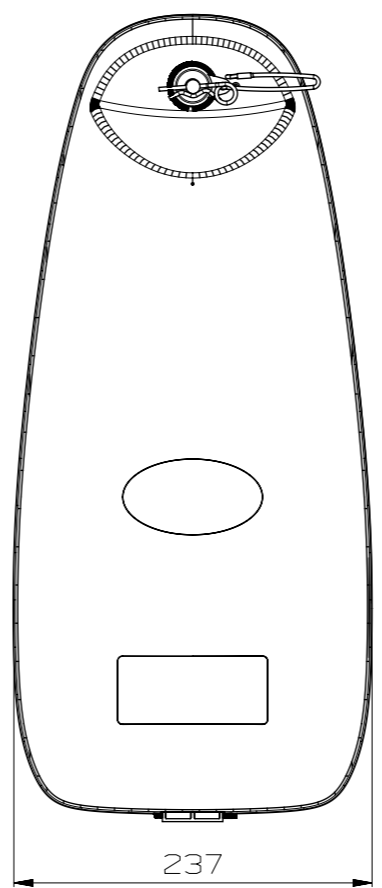
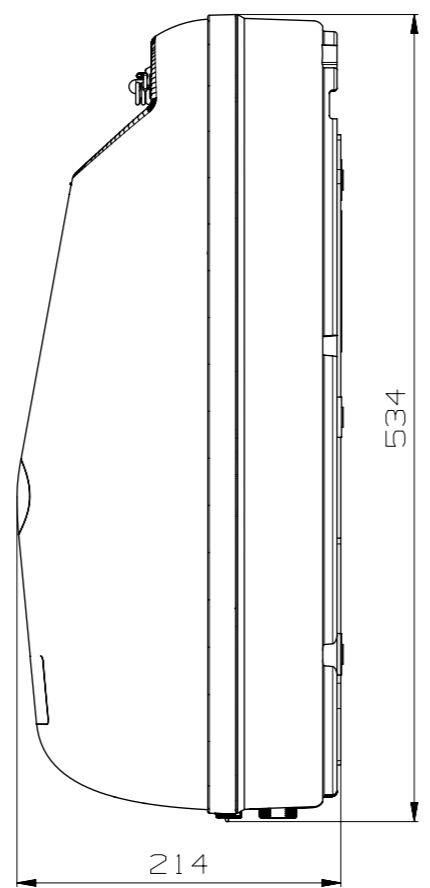


1 2 3 4 5 6 7 8

A



HOLE IN COLLAR  
Ø6,5



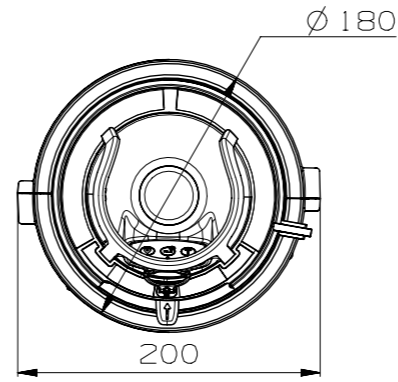
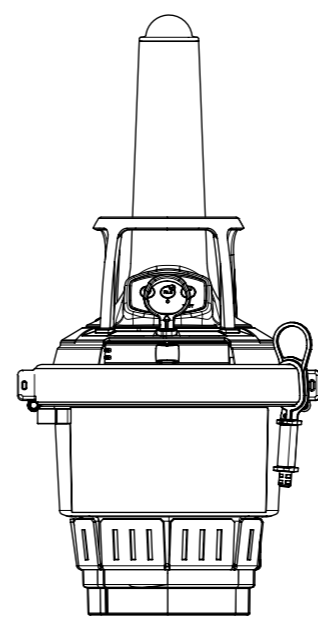
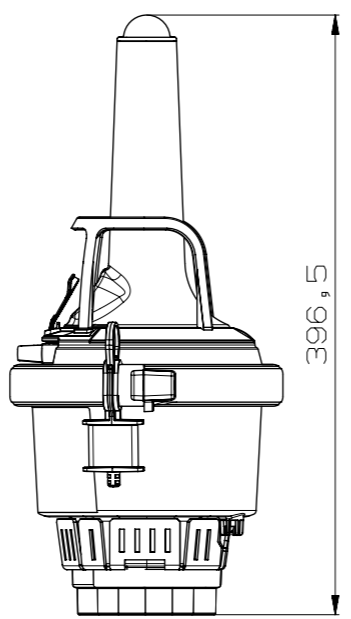
A

B

B

C

C



Rev	CO	Sign	Date	Description / Change
-	-	MK	11.11.2021	First Version
Revision History				

Material/Mass:		This drawing is property of Jotron AS and must not be duplicated or used for manufacturing of any parts disclosed herein without permission from Jotron AS.	
General tolerance	Roughness Ra:		
Part Name: <b>Tron 40VDR AIS W/Bracket</b>			
Description: General Arrangement Drawing		 Performance for Life	Size: A3 Scale: Sheet: 1/1
		Part No: <b>103200</b>	Rev: <b>R03</b>

1 2 3 4 5 6 7 8

D