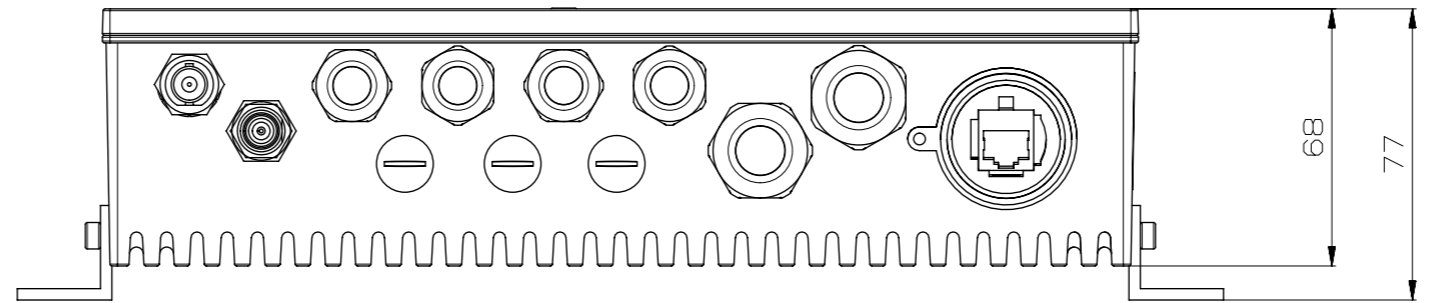


1 2 3 4 5 6 7 8

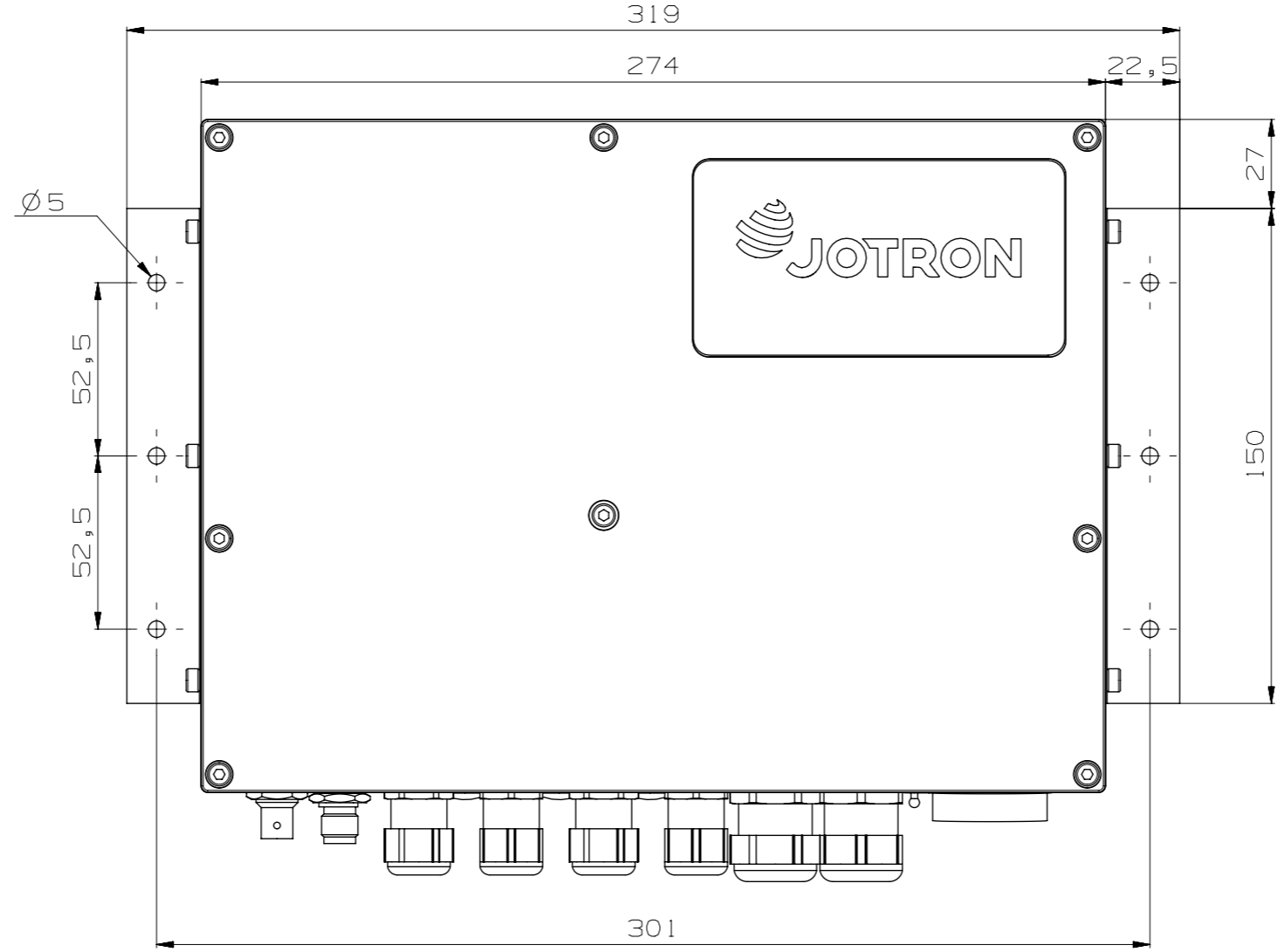
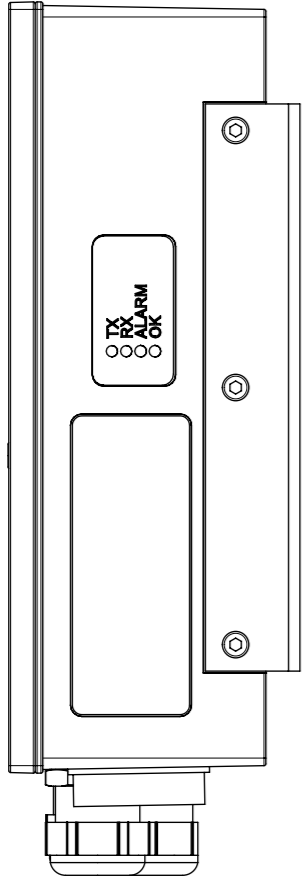
A

A



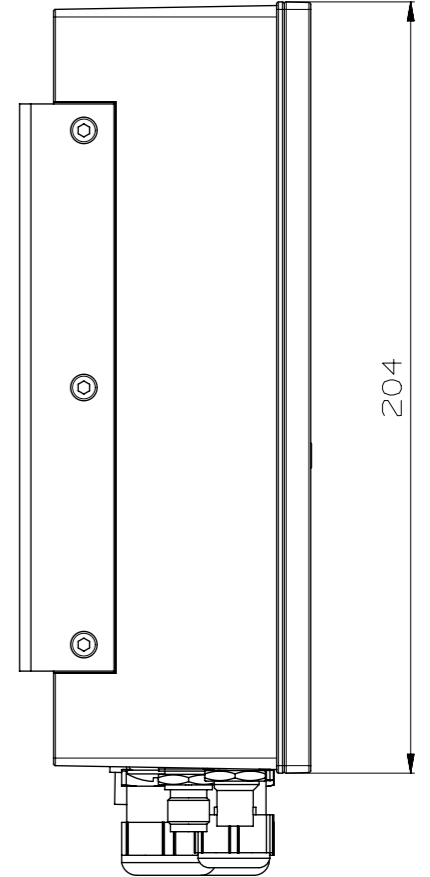
B

B



C

C



D

D

Rev	CO	Sign	Date	Description / Change
R01	-	SJ	03.08.2021	First edition
Revision History				

Material/Mass:		This drawing is property of Jotron AS and must not be duplicated or used for manufacturing of any parts disclosed herein without permission from Jotron AS.		
General tolerance:		Roughness Ra:		
Part Name:		 Tron AIS TR-8000 MkII GPS Transponder Unit		
Size:	Scale:	Sheet:		
A3	1:2	1/1		
Part No:		Rev:		
103650		R01		

1 2 3 4 5 6 7 8