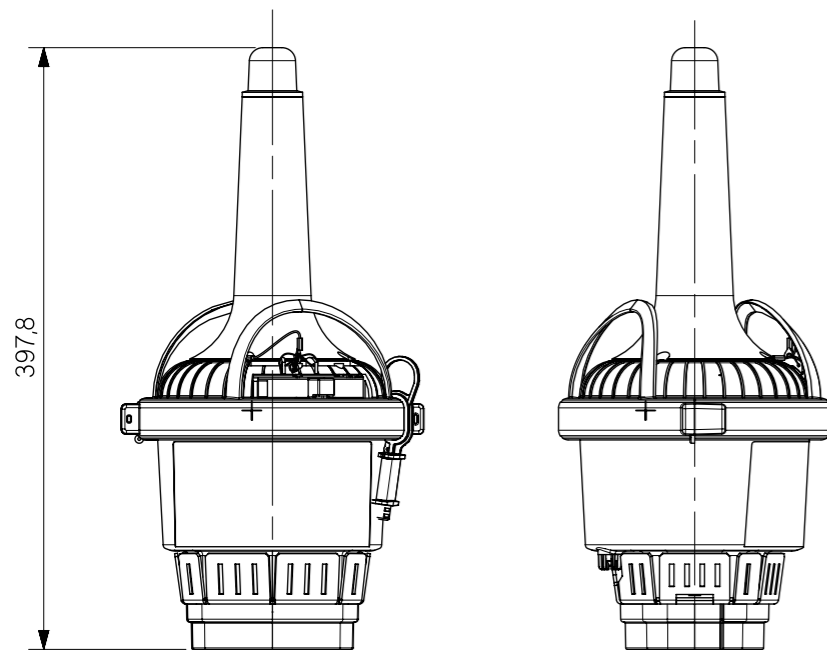
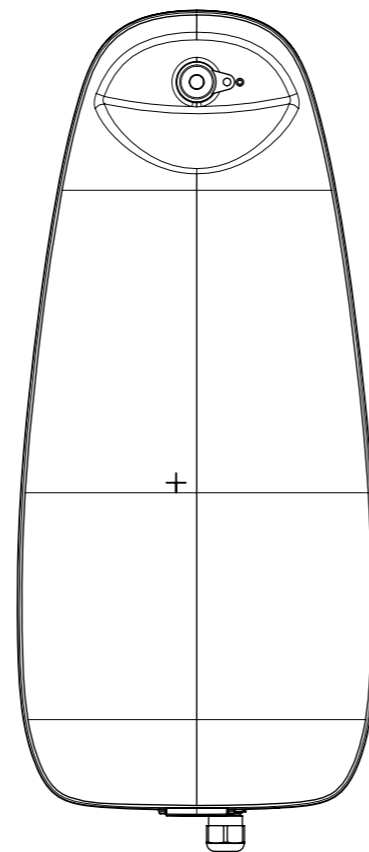
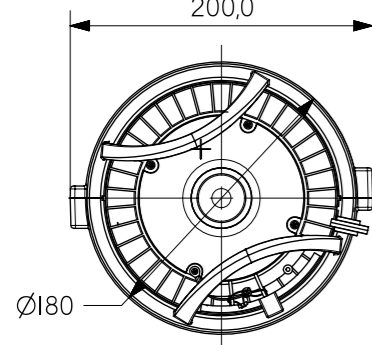


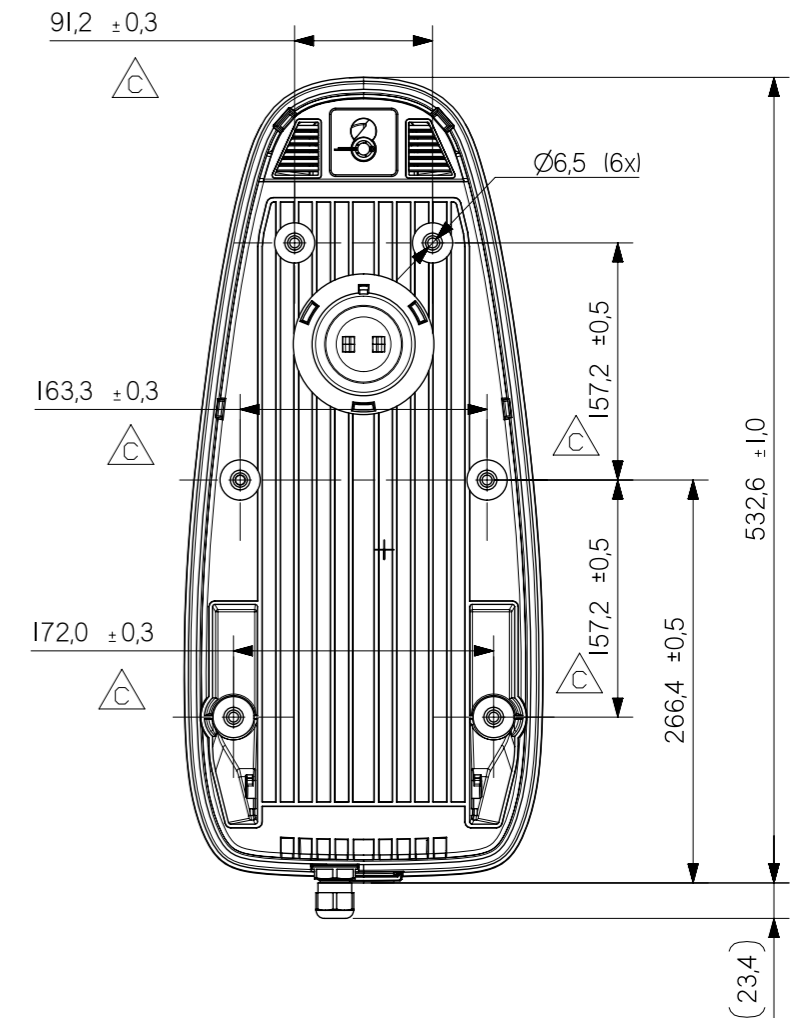
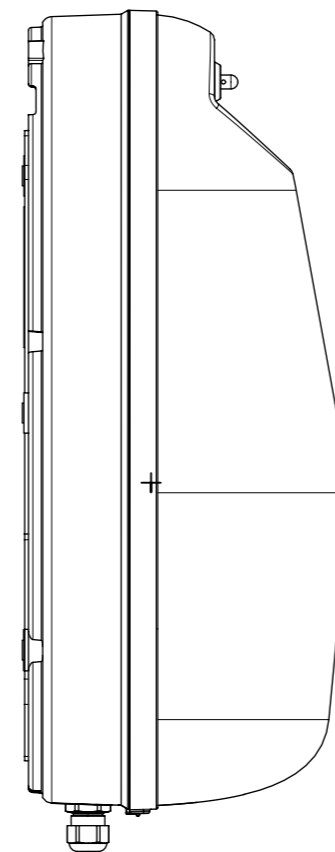
Hole pattern:  
 - Dimensions on this drawing are according to measured on moulded parts.  
 -  $\varnothing 6,5$  (item no:80185 sleeve)  
 - Use M5 (in sleeves 80185)for fastening bracket



SCALE 1:5  
200,0



SCALE 1:5



Rev	CN	Sign	Date	Description / Change
C	7249	TN	23.06.2014	Dimensions changed according to measured up on a random selection of 3 items (157,2 was 156,8) Tolerances added.
B	-	TN	18.02.2014	Sec. version
A	-	TN	01.10.2013	First version
Revision History				

Material/Density/Mass: /		This drawing is property of Jotron AS and must not be duplicated or used for manufacturing of any parts disclosed herein without permission from Jotron AS.		
General tolerance NS-ISO-2768-1-m		General Surface Roughness Ra: RA3,2		
Approved:	Original model: TN	Original draft: TN	Date: See Revision History	
ASSY		Size: A3	Scale: 1:1	Sheet: 1/2
Tron40 VDR/Tron 40FB		M-87940		Rev: C