



FB-6 Float free bracket

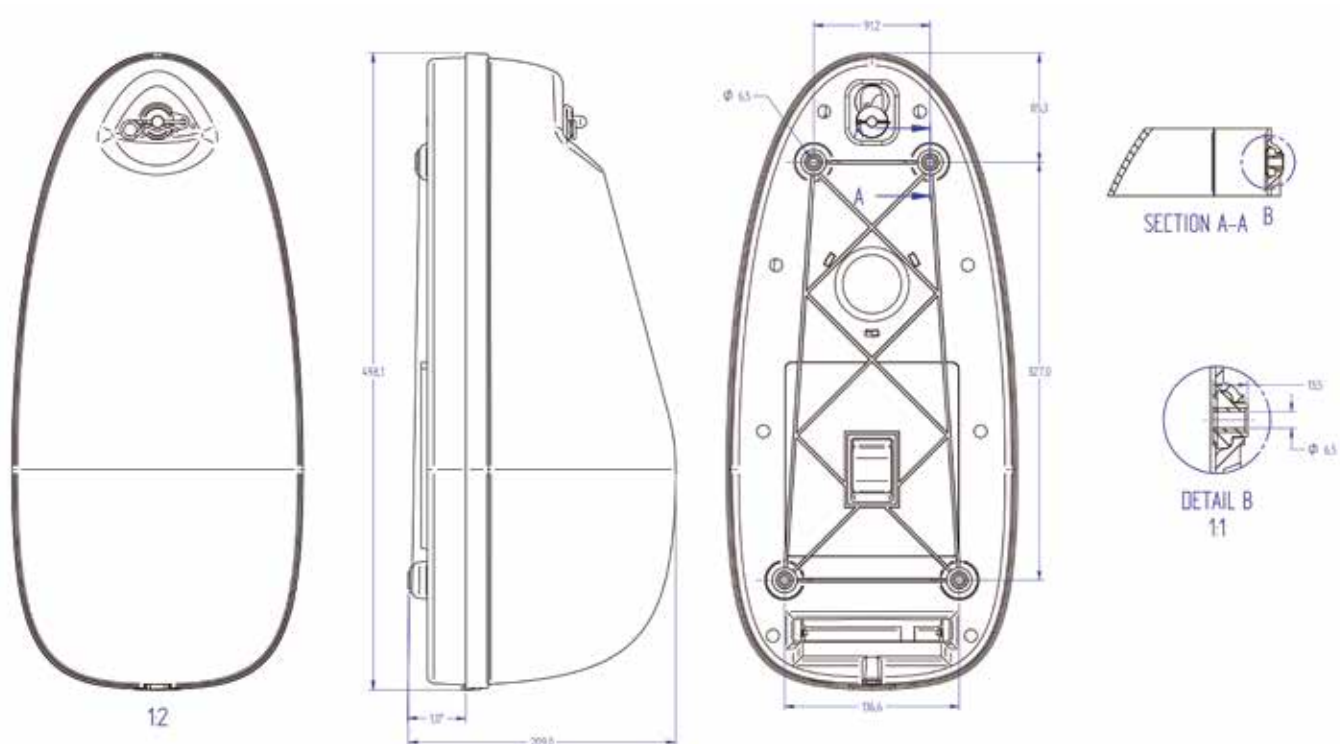


www.jotron.com

► FB-6 Float free bracket

Features:

- Internal improved "tilt-angle" for optimized EPIRB stability
- Same footprints/mounting as FB-4, FBH-4 and FB-5
- Simple to install and maintain



Agent/Distributor:

Jotron AS reserves the right to change the design and/or specifications at any time without prior notice. Reservations are also taken towards any general errors that may occur.

v.B

www.jotron.com

CONTACT INFORMATION

Jotron AS
P.O.Box 54
3281 Tjodalyng
Norway
Tel: +47 33 13 97 00
Fax: +47 33 12 67 80
sales@jotron.com

Jotron UK Ltd.
Crosland Park
Cramlington
NE23 1LA
United Kingdom
Tel: +44 (0) 1670 712000
Fax: +44 (0) 1670 590265
sales@jotron.com

Jotron Asia Pte. Ltd.
19 Loyang Way
Changi Logistics Centre
Rear Office Block 04-26
Singapore 508724
Tel: +65 65426350
Fax: +65 65429415
sales@jotron.com

Jotron USA, Inc.
10645 Richmond Avenue, Suite 170
Houston, TX 77042
USA
Tel: +1 713 268 1061
Fax: +1 713 268 1062
sales@jotron.com