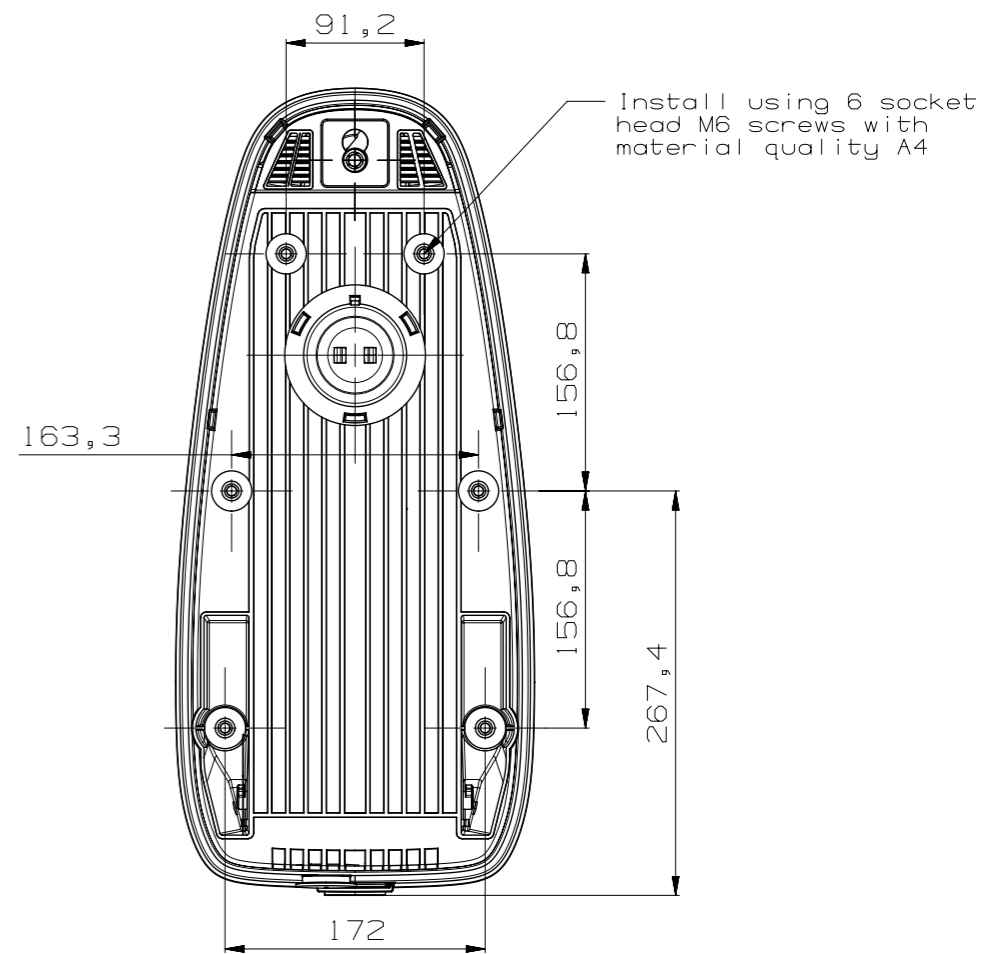
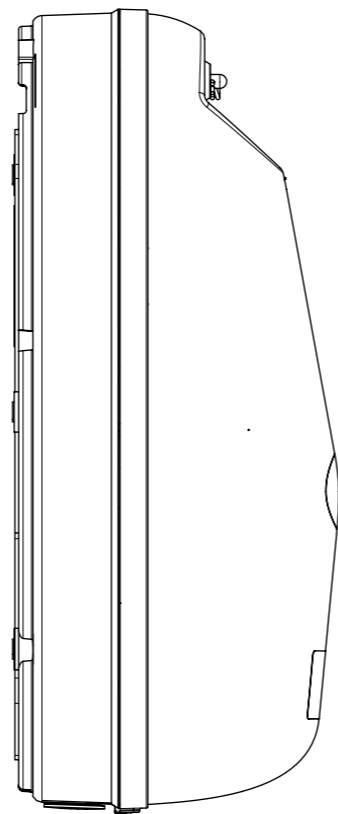
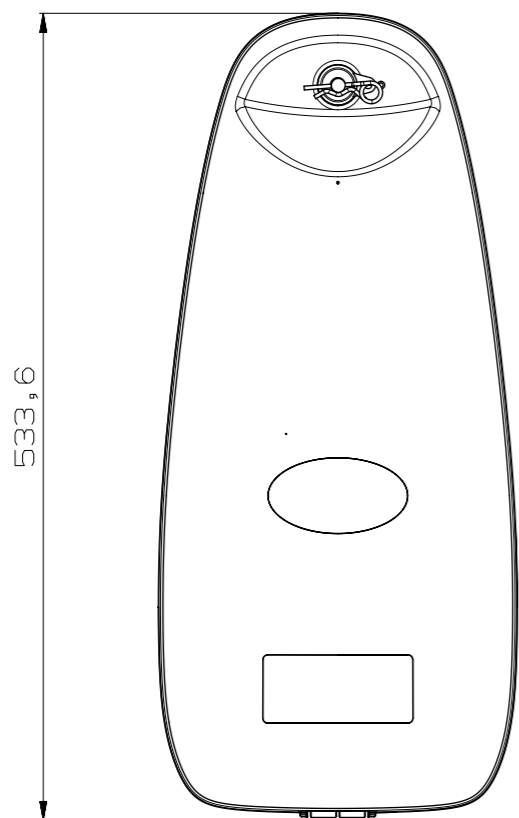
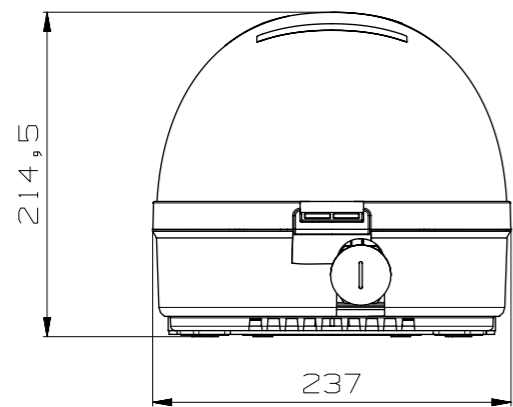


1 2 3 4 5 6 7 8



| Rev              | CO | Sign | Date       | Description / Change |
|------------------|----|------|------------|----------------------|
| R01              | -  | EJ   | 29.10.2020 | First release        |
| Revision History |    |      |            |                      |

|  |  |   |                    |               |
|--|--|---|--------------------|---------------|
| Material/Mass:<br>-  |  | This drawing is property of Jotron AS and must not be duplicated or used for manufacturing of any parts disclosed herein without permission from Jotron AS. |                    |               |
| General tolerance<br>NS-ISO-2768-1-mK                            |  | Roughness Ra:<br>-  |                    |               |
| Part Name:<br><b>Tron 40S MkII with FB-42 Float-free bracket</b> |  |   |                    |               |
| Description:<br>Dimensional drawing                              |  | Size:<br>A3   | Scale:<br>1:1      | Sheet:<br>1/1 |
| Part No:<br><b>103370</b>  |  |   | Rev:<br><b>R01</b> |               |

1 2 3 4 5 6 7 8